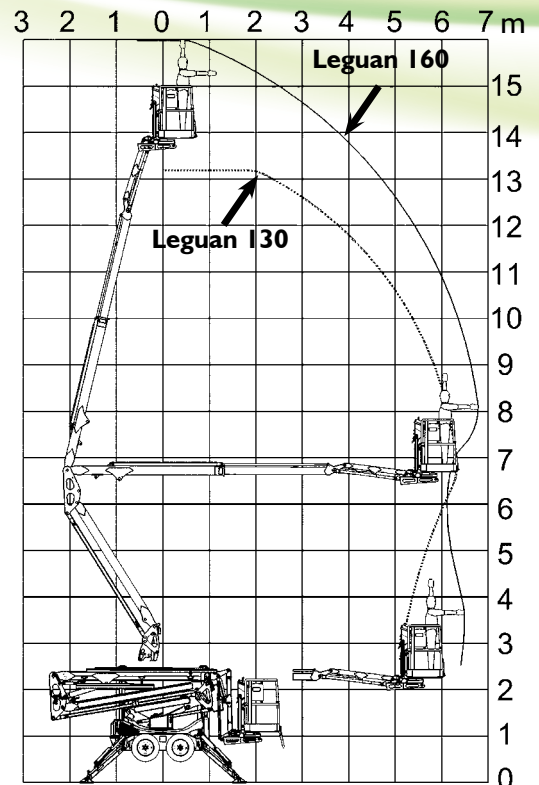


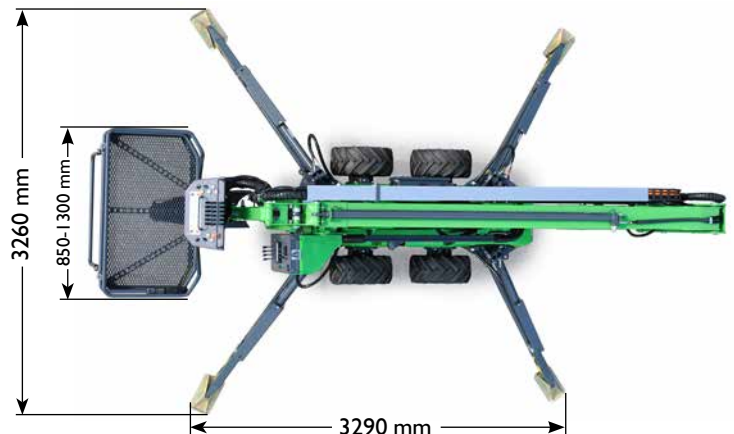
130 160

Technical data

	LEGUAN 130	LEGUAN 160
SWL for the entire working area	200 kg / 2 persons	200 kg / 2 persons
Max. working height	13,10 m	15,90 m
Max. platform height	11,10 m	13,90 m
Max. outreach	6,30 m	6,70 m
Transport length	5,20 m	4,94 m
Platform dimensions W x L	1,30 x 0,75 m	1,30 x 0,75 m
Rotation of basket	90° (±45°)	90° (±45°)
Slewing	360°	360°
Gradeability	35 % (20°)	35 % (20°)
Outrigger spread working	3,29 x 3,26 m	3,29 x 3,26 m
Max. slope for outriggers	22 % (13°)	22 % (13°)
Weight with tyres	1900 kg	2100 kg
Weight with tracks	2100 kg	2300 kg
Power source	Kubota 14 hp diesel	Kubota 14 hp diesel
	230 V	230 V
Drive system: hydraulic	4WD	4WD
	Tracks	Tracks
Drive speed	1,5 km/h / 4,5 km/h	1,5 km/h / 4,5 km/h
Start battery	12V / 43 Ah	12V / 43 Ah



Transport dimensions	LEGUAN 130	LEGUAN 160
Length with platform	5,00-5,20 m	4,94 m
Length without platform	4,74 m	4,60 m
Height	23" tyres	1,94 m
	20" tyres	1,91 m
with tracks	1,94 m	2,01 m
	1,94 m	2,01 m
Width	23" tyres	1,23 m
	20" tyres	1,01 m
with tracks	1,30 m	1,30 m



Options

- 230V electric propelling
- two 230V outlets at platform
- rubber crawler tracks
- white tyres or tracks
- tire bags for sensitive surfaces
- extra hose (water/air) to platform
- engine block heater with thermostat for Kubota diesel engine
- GPS tracking with remote stopping and location information
- plastic pads on outrigger feet
- extra large outrigger feet
- extra large outrigger feet with anti slip studs
- controls at ground level
- warning beacons on outriggers and booms
- platform with mesh floor
- special transportation trailer
- 12V jump start connectors at ground level